

# HONDA ACCORD GVIF - PAS (VIDEO Interface)



MODEL	GVIF-PAS-141203
DATE	2015.09.30

# Main Spec.

---

## 1. Input Spec. (MULTI VIDEO INTERFACE)

- 2 x A/V Input (External video source).
- 1 x CVBS(REAR CAMERA) Input. (Rear camera source)
- 1 x CVBS(FRONT CAMERA) Input. (Front camera source)
- 1 x Analog RGB Input (Navigation System output)
- 1 x GVIF Input. (Car Command System)

## 2. Output Spec.

- 2 x CVBS Output (Video out for Installing Headrest Monitor)
- 1 x Audio L/R Output.
- 1 x GVIF Output (LCD Operation)

## 3. Power Spec.

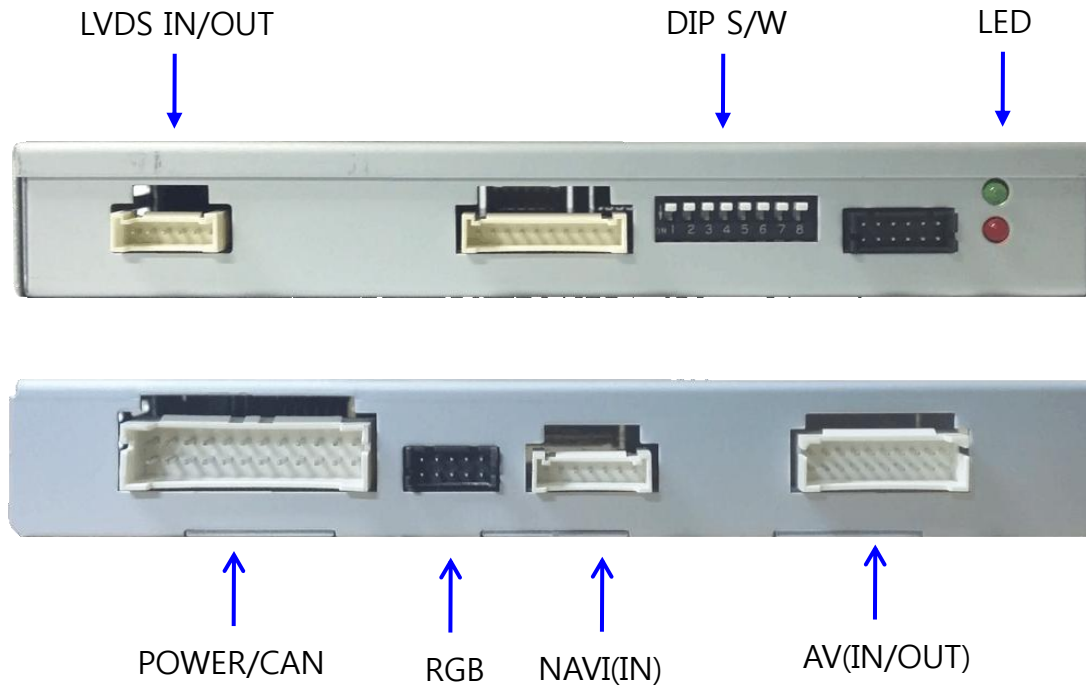
- Input Power : 8VDC ~ 24VDC
- Consumption Power : 12Watt, Max

## 4. Switch Input mode

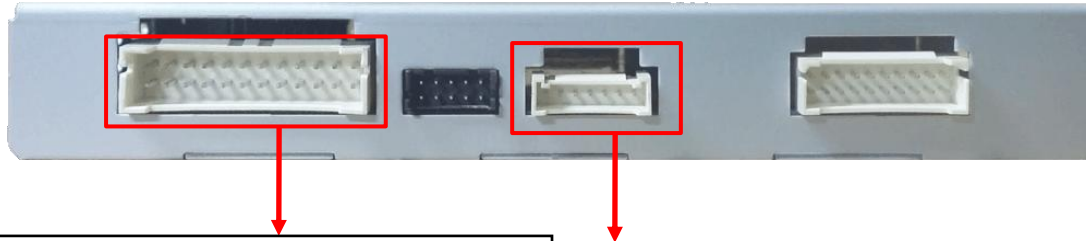
- Possible to select CAR model while switching mode by DIP S/W
- By button on the Commander in the car via CAN

# External Appearance

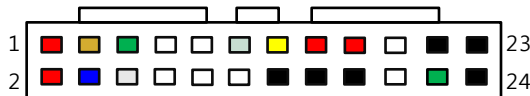
---



# Connector Pin Assignment

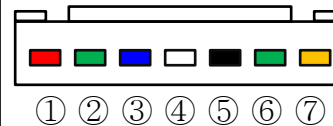


\*POWER Connect



- |                     |                      |
|---------------------|----------------------|
| 1. ACC (Red)        | 13. Battery (Yellow) |
| 2. ACC (Red)        | 14. GND (Black)      |
| 3. REAR-DET (Brown) | 15. REAR-VCC (RED)   |
| 4. FRONT-DET (Blue) | 16. GND (Black)      |
| 5. CAN-L (Green)    | 17. FRONT-VCC (RED)  |
| 6. CAN-H (Orange)   | 18. GND (Black)      |
| 7. NC               | 19. NC               |
| 8. NC               | 20. NC               |
| 9. NC               | 21. GND              |
| 10. NC              | 22. MODE (Green)     |
| 11. ADC             | 23. GND (Black)      |
| 12. NC              | 24. GND (Black)      |

\*NAVI Connect



- |                   |
|-------------------|
| ① R DATA (Red)    |
| ② G DATA (Green)  |
| ③ B DATA (Blue)   |
| ④ SYNC (White)    |
| ⑤ GND (Black)     |
| ⑥ DMB IR (Green)  |
| ⑦ DVD IR (Orange) |

# Product Composition

---



Interface 1 EA



Power Cable 1 EA



GVIF IN/OUT Cable 1 EA



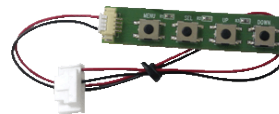
RGB Navi Cable 1 EA



A/V Cable 1 EA



Mode S/W 1 EA



OSD Board 1 EA

# Product Composition Option

---



**Option** : Sub Board 1 EA



**Option** : RGB Cable 1 EA



**Not for sale** : HDMI Cable 1 EA

# DIP S/W Setting

\* ON : DOWN , OFF : UP

PIN	FUNCTION	DIP S/W Selection
1	NAVI	ON : Not Used OFF : Used
2	DVB-T(AV1)	ON : Not Used OFF : Used
3	DVD(AV2)	ON : Not Used OFF : Used
4	HDMI	ON : Not Used OFF : Used
5	CAR Type	right refer to picture
6		
7	Handle button	ON : Used OFF : Not Used
8	CAR Type	right refer to picture

\* DIP S/W Example



ACCORD

# Mode Change

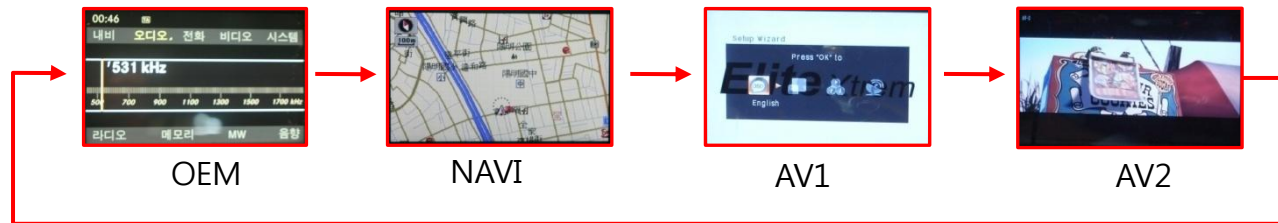


NOT USE Steer wheel button



Use Steer wheel button

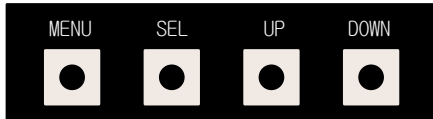
Push Long





# OSD(On Screen Display) Control

## OSD Control Board



MENU	Push -> OSD menu On/Off
SEL	Item Selection, Value Selection
UP	Item up Increase selected value
DOWN	Item down Decrease selected value

Mode State

MENU	Config	NAVI
Config	NAVI-RGB	KD900(WVGA)
Option	NAVI-AV	Default
Image	DVD	ELT-980XU Slim
Screen	DVB-T(IMB)	ELT-DVBT20
Parking	BlackBox	Default

First Menu      Second Menu      Third Menu

# OSD(On Screen Display) Control

First Menu	Second Menu	Third Menu	Action
Option	RearCam-Type	OEM	Original Camera
		ExtDevice	Use aftermarket Rear camera
	RearCam-Power	ON	Rear camera get +12V consistently
		AUTO	Rear camera get +12V when reverse gear on
		OFF	Shut out the power supply.
	FrontCam-Type	OEM	Original Camera
		ExtDevice	Use aftermarket Front camera
	FrontCam-Power	ON	Front camera get +12V consistently
		AUTO	Front camera get +12V when reverse gear on
		OFF	Shut out the power supply.
	RearCam-RcvOpt	ON	Show Frontcam 25sec after rear mode.
		OFF	Default
	Reset	Excute	Option Menu all Reset

# OSD(On Screen Display) Control

NAVI-RGB menu

First Menu	Second Menu	Third Menu	Action
Image	Brightness		Adjust the value of brightness
	Contrast		Adjust the value of contrast
	Color-RED		Adjust the value of RED
	Color-GREEN		Adjust the value of GREEN
	Color-BLUE		Adjust the value of BLUE
	Reset	Excute	Option Menu all Reset

DVD,DVB-T(DMB),NAVI-AV,REAR,FRONT menu

First Menu	Second Menu	Third Menu	Action
Image	Brightness		Adjust the value of brightness
	Contrast		Adjust the value of contrast
	Saturation		Adjust the value of Saturation
	Hue		Adjust the value of Hue
	Sharpness		Adjust the value of Sharpness
	Reset	Excute	Option Menu all Reset



<< Brightness >>



<< Saturation >>



<< Contrast >>

# OSD(On Screen Display) Control

## OSD Setting- Screen Mode

- Horizontal
- Vertical
- Scaler X Up
- Scaler X Down
- Scaler Y Up
- Scaler Y Down

MENU	Screen	NAVI
Config	Horizontal	50
Option	Vertical	50
Image	Scale X Up	50
Screen	Scale X Down	50
Parking	Scale Y Up	50

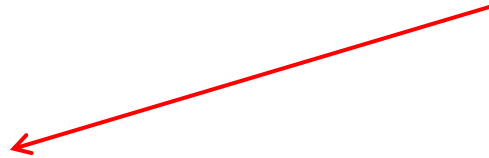
# OSD(On Screen Display) Control

OSD Setting - Parking Mode On/Off

MENU	Parking	REAR
Config	OPS Display	On
Option	Line Display	On
Image	Horizontal	50
Screen	Vertical	50
Parking	Space	0



MENU	Parking	REAR
Config	OPS Display	On
Option	Line Display	On
Image	Horizontal	50
Screen	Vertical	50
Parking	Space	0

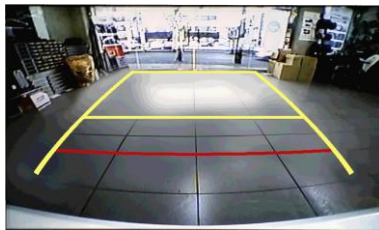


MENU	Parking	REAR
Config	OPS Display	On Off
Option	Line Display	On
Image	Horizontal	50
Screen	Vertical	50
Parking	Space	0



MENU	Parking	REAR
Config	OPS Display	On Off
Option	Line Display	On
Image	Horizontal	50
Screen	Vertical	50
Parking	Space	0

PARKING LINE ON



PARKING LINE OFF

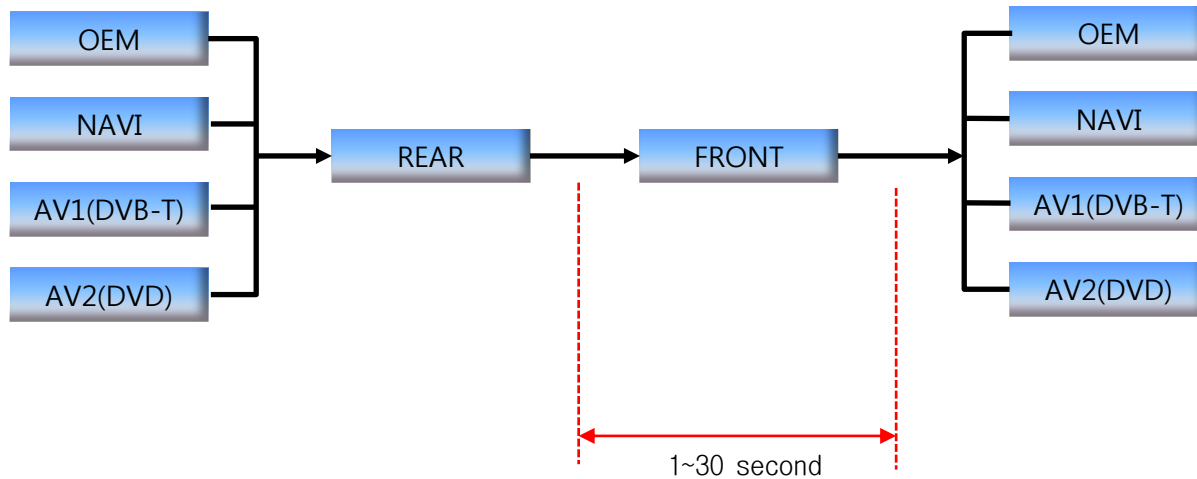


# OSD(On Screen Display) Control

OSD Setting - Front Camera Auto Mode

MENU	Option / RearCam-RcvOpt	REAR
Config	FrontCam-Det	ExtWire
Option	RearCam-RcvOpt	<input type="text"/> 0s
Image	AV Out	USER
Screen	Reset	Execute Cancel
Parking		

MENU	Option / RearCam-RcvOpt	REAR
Config	FrontCam-Det	ExtWire
Option	RearCam-RcvOpt	<input type="text"/> 30s
Image	AV Out	USER
Screen	Reset	Execute Cancel
Parking		



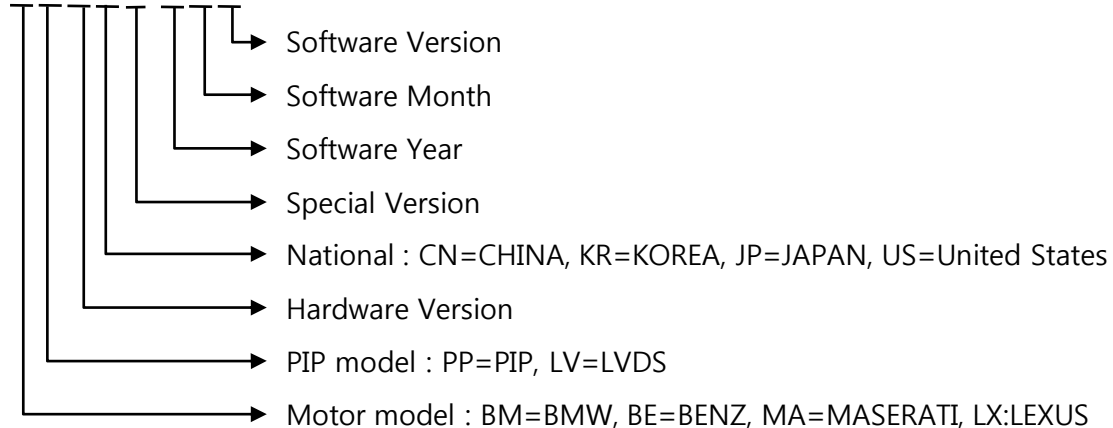
# OSD(On Screen Display) Control

## OSD Setting - Utility Mode

MENU	Utility / Factory Reset	REAR
OSD	Factory Reset	Execute Cancel
Utility	Version	BEPP06SGX-130950

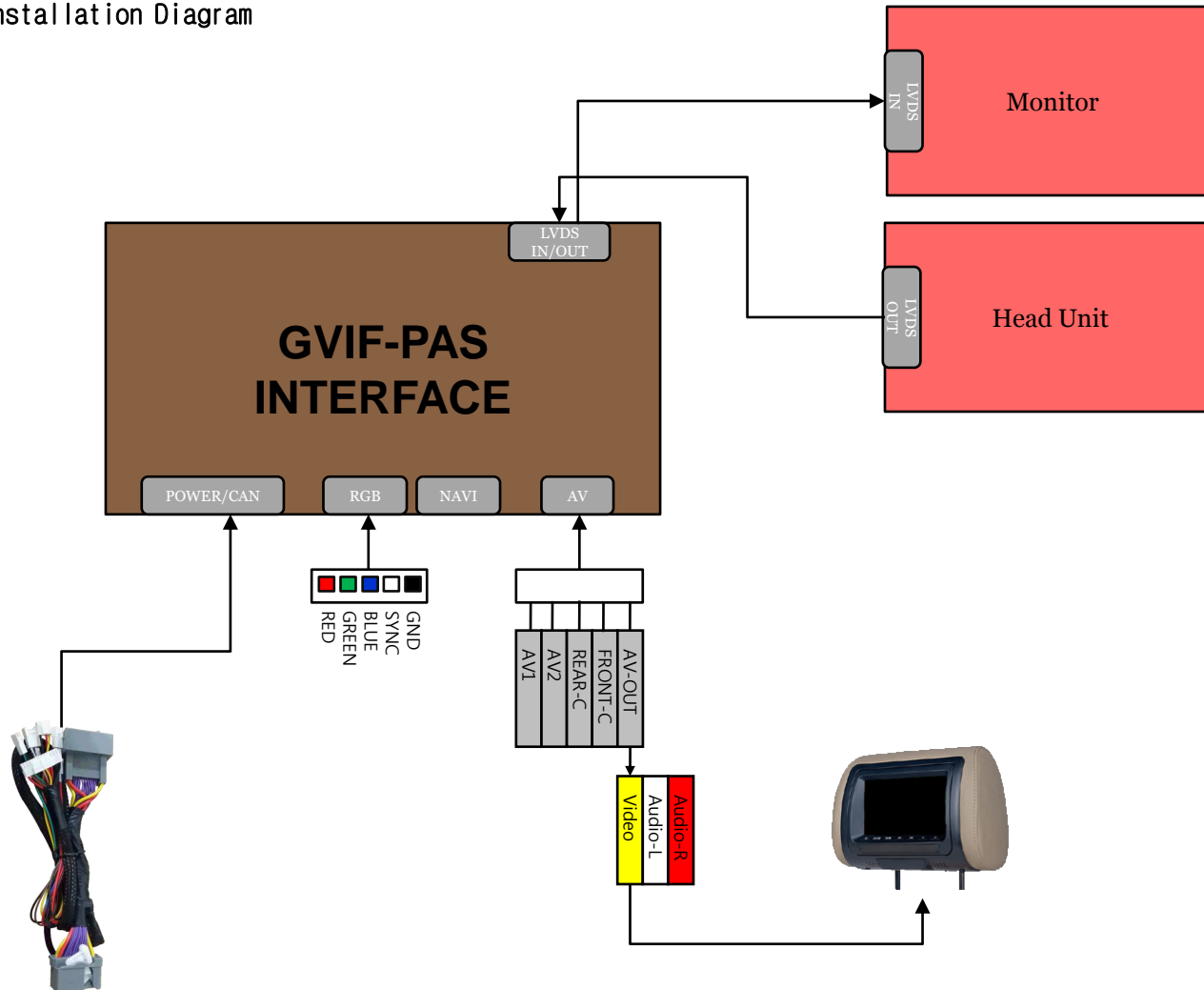
- Factory Reset : Execute - Reset All (Setting Default)
- Version : FW Version  
Finish update FW, check the FW version

Last Source : BEPP06SGX-130950



# Install Manual

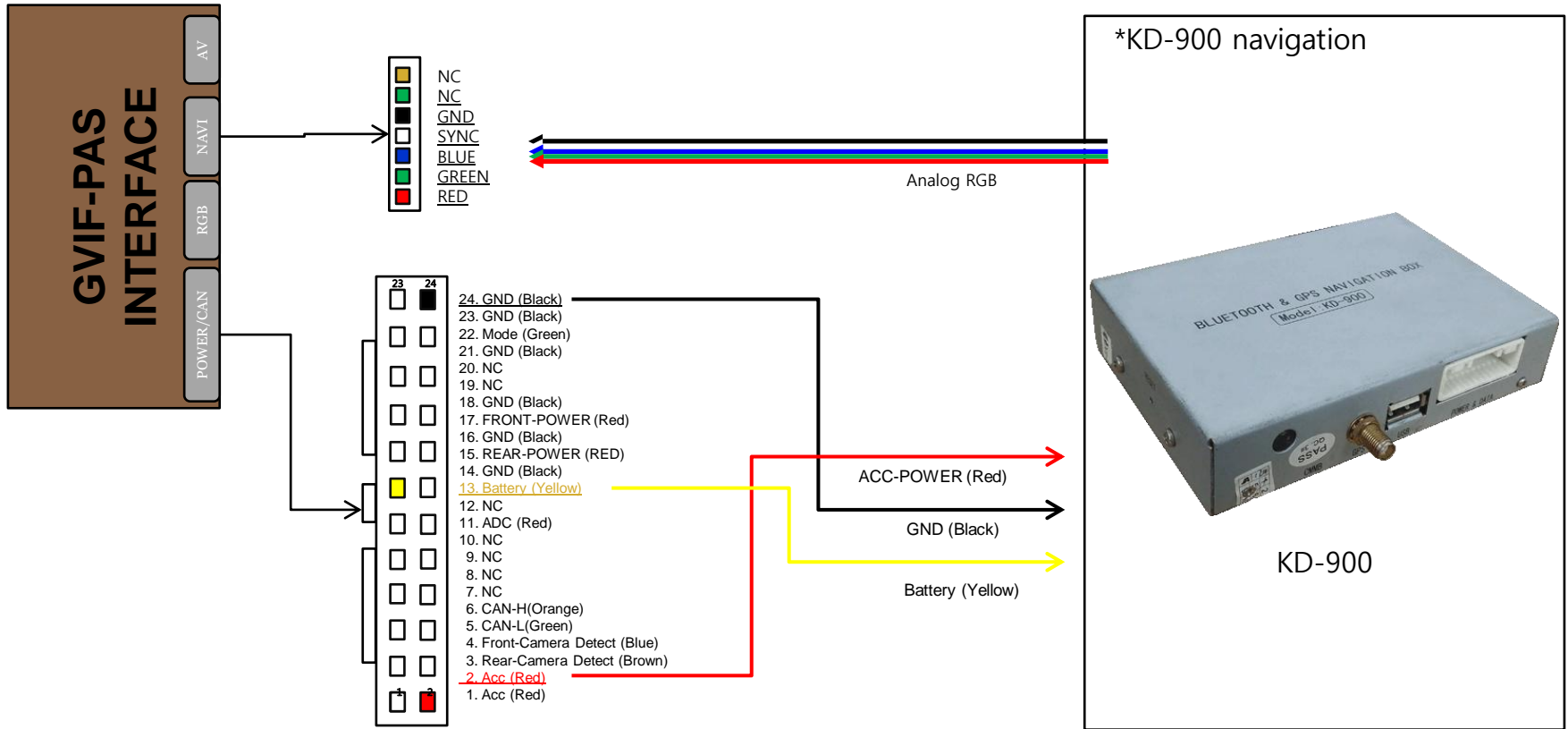
## 1. Installation Diagram





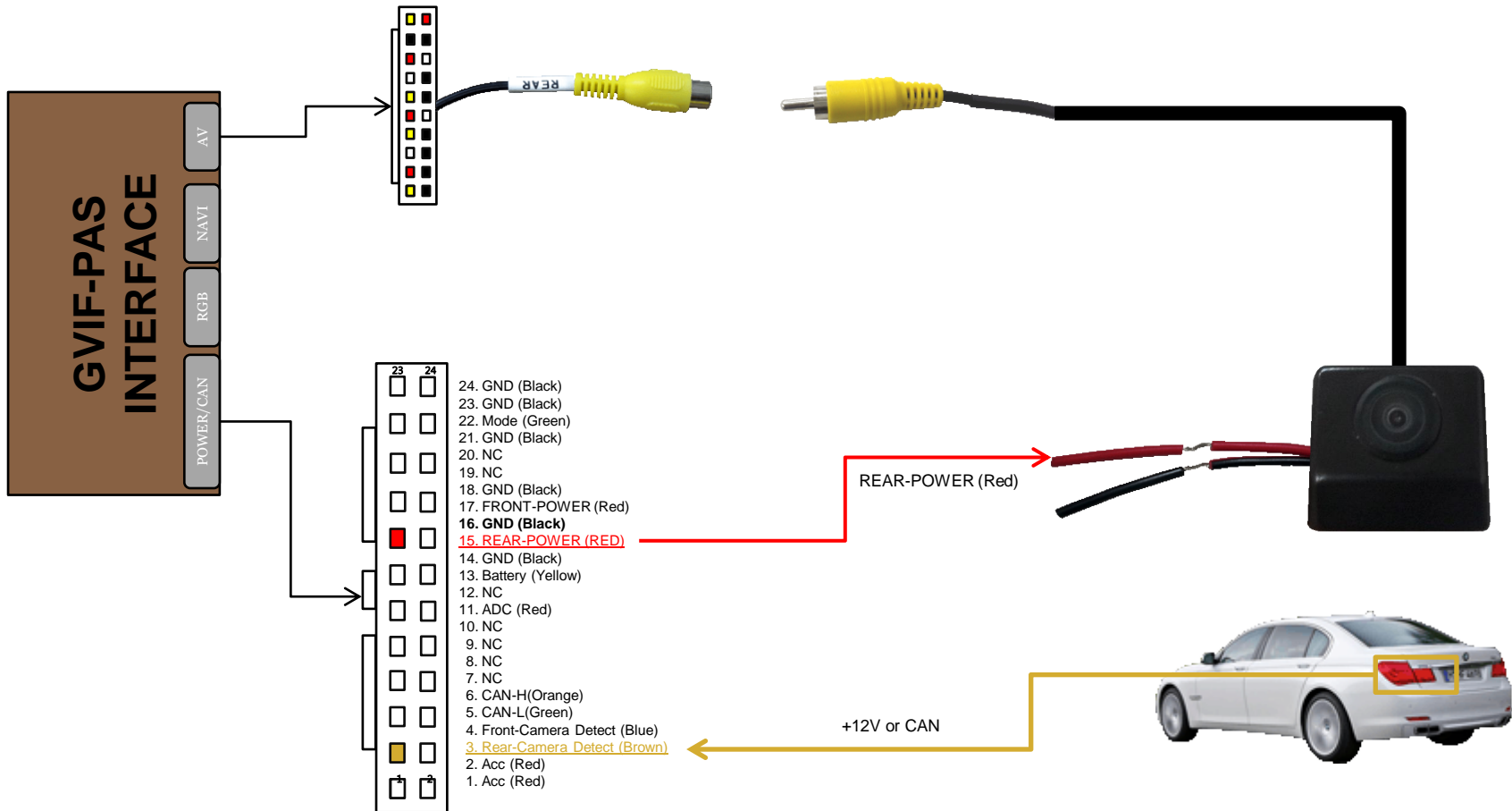
# Install Manual

## 2. Installation Navigation Connection



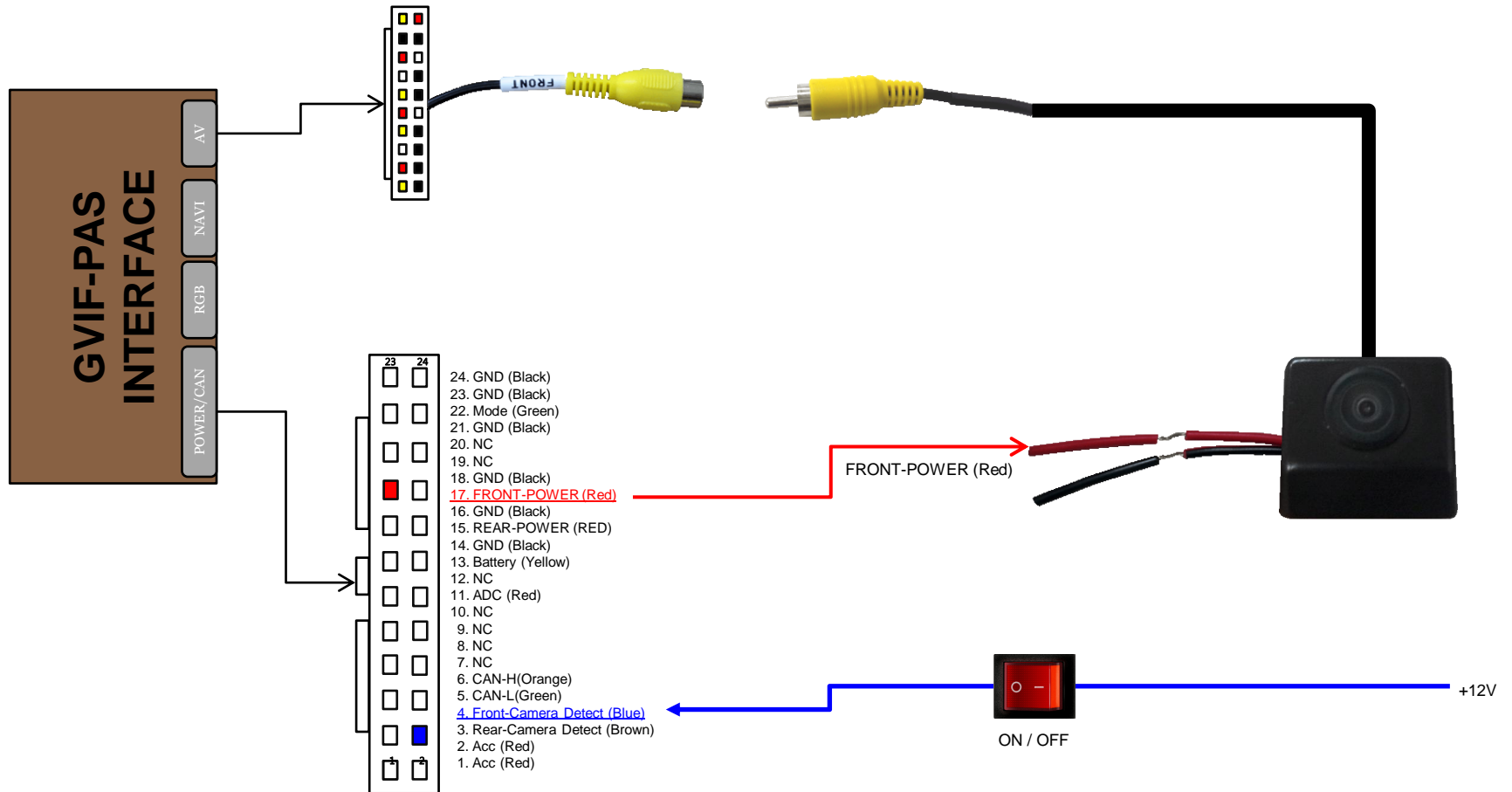
# Install Manual

## 3. Installation External Reverse(Rear) Camera Connection : OSD Screen selection WIRE/CAN



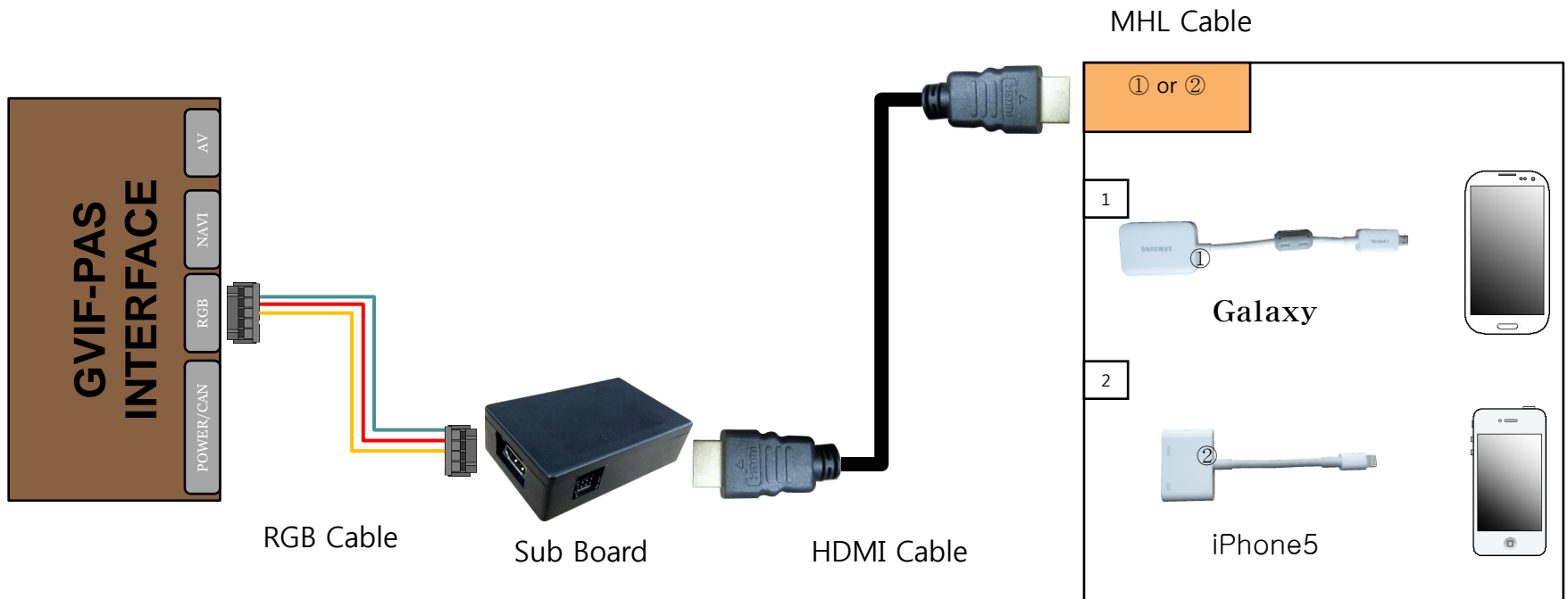
# Install Manual

## 4. Installation External Front Camera Connection

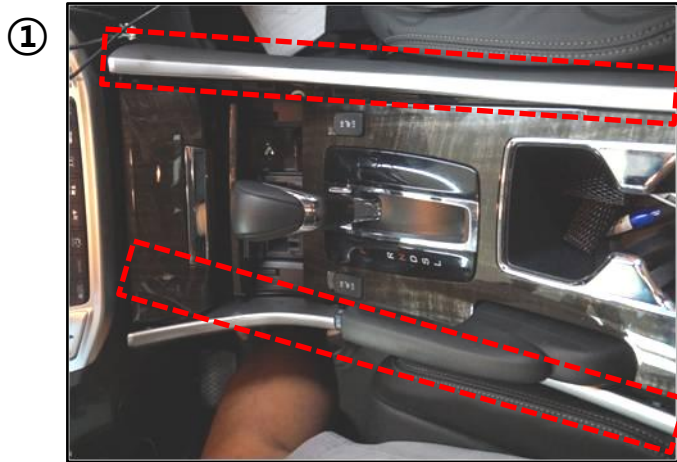


# Install Manual

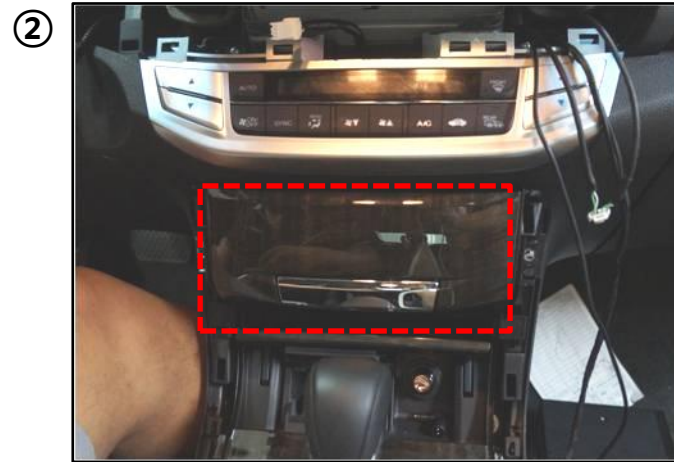
## 5. Installation External HDMI cable



# Install Manual



Take out Silver COVER



Take out



Take out COVER



Take out COVER

# Install Manual

⑤



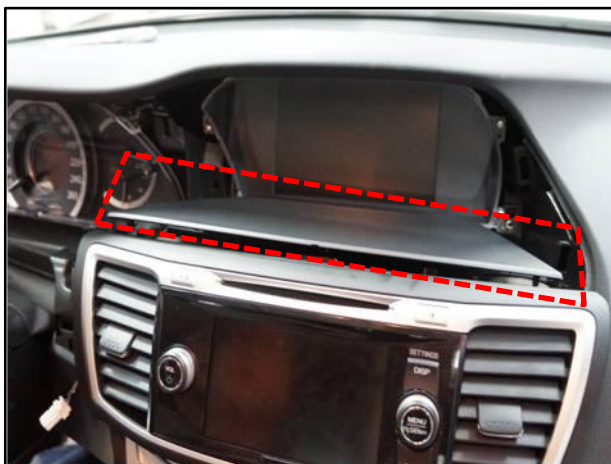
Take out BOLT

⑥



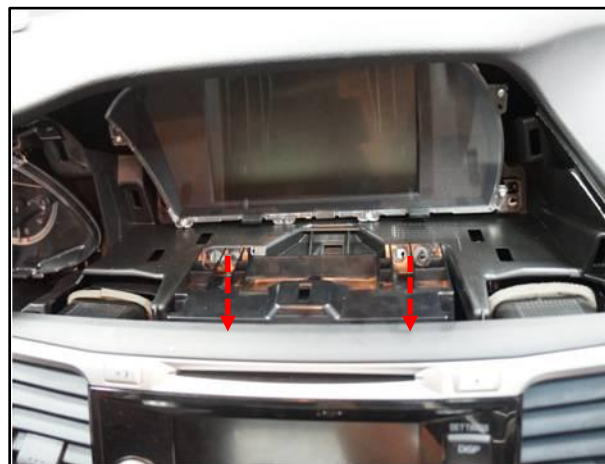
Take out BOLT

⑦



Take out Cover

⑧



Take out BOLT



# Install Manual

⑨



Take out BOLT



Take out BOLT

⑪



Take out Cover

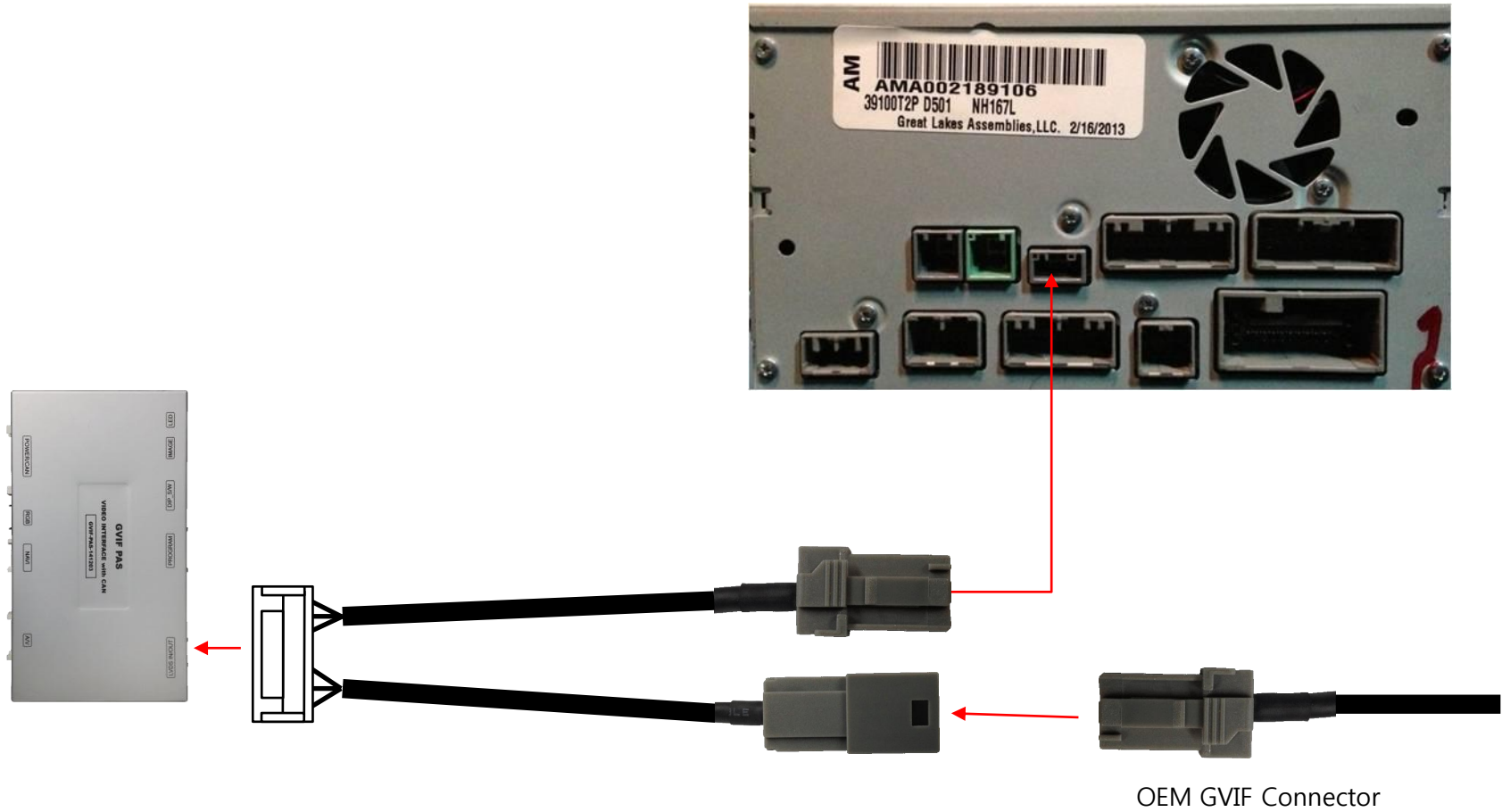
⑫



Take out COMMAND

# Install Manual

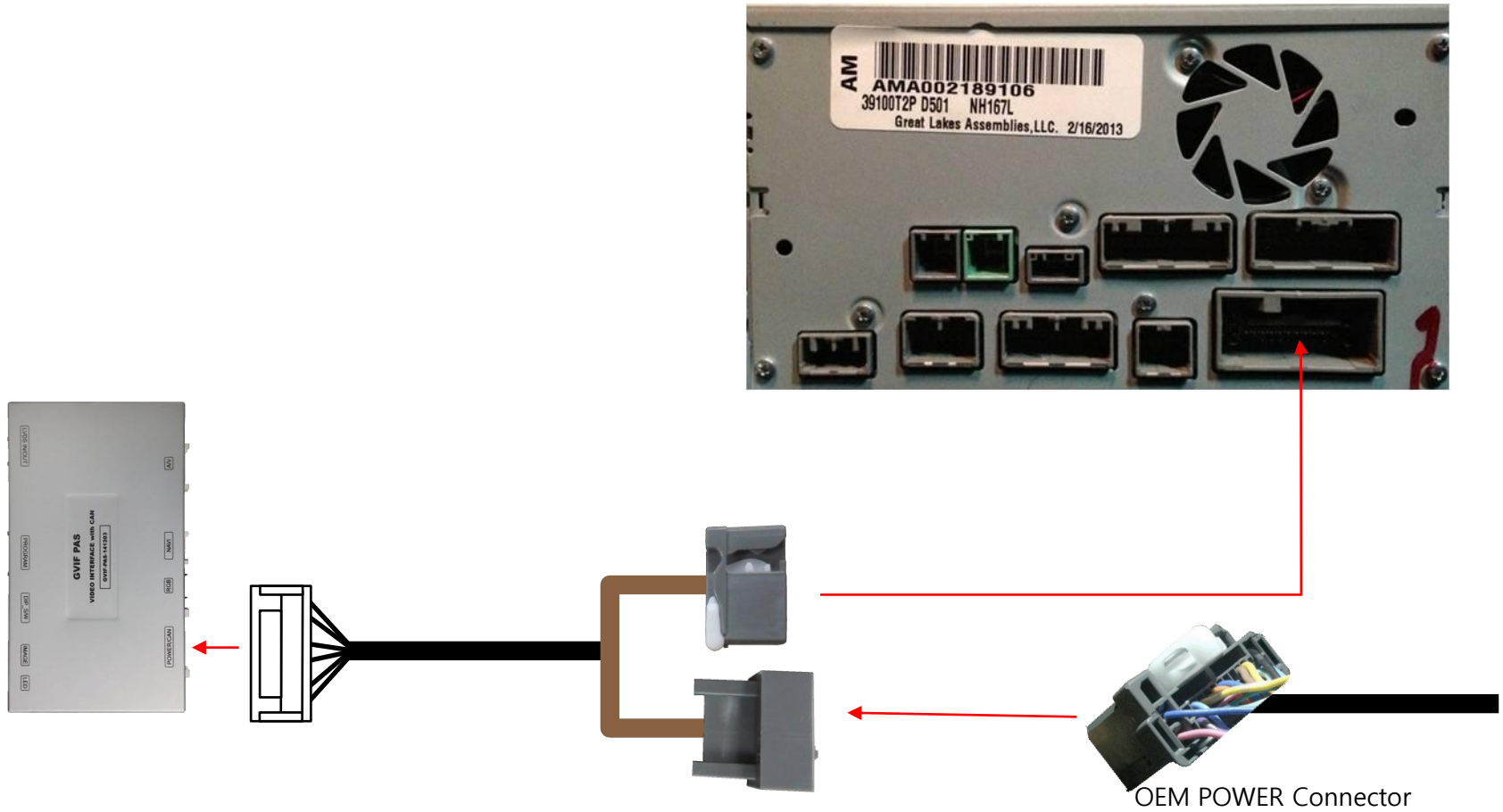
GVIF CABLE connection





# Install Manual

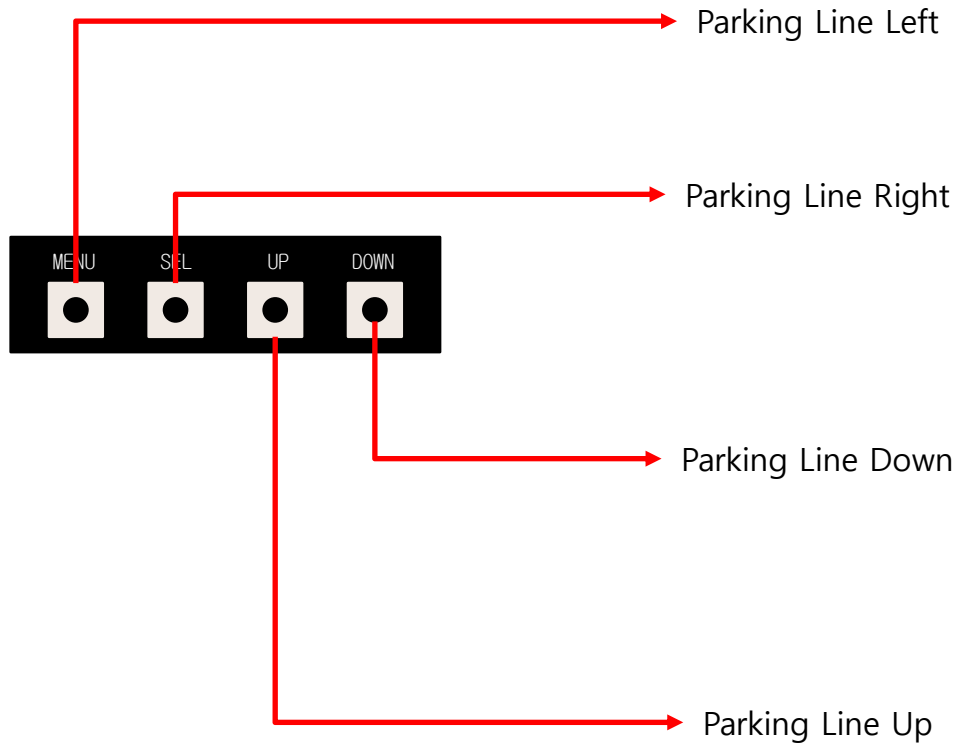
## POWER CABLE connection



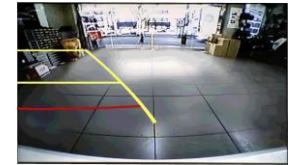
# Install Manual

## Parking Line Control

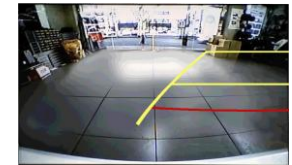
### OSD Control Board



\* Parking Line can move to Left/Right/Up/Down



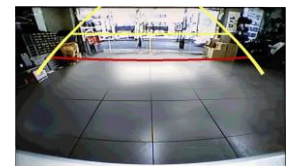
Parking Line Left



Parking Line Right



Parking Line Down



Parking Line Up

# Q & A

---

1. If Interface has a problem, Please check LED.



- ACC on (12v), If Interface does not have a problem; GREEN LED is blinking every 1 sec..
- RED LED is turn on (not blinking), Interface has a problem.
- RED LED is turn off every 1 sec, there is no input.
- RED LED and GREEN LED both are not turn on, check the CAN or ACC connection.

2. Q : LCD screen black

A : LVDS Cable problem or, connection problem.

3. When DTV or DVD mode, cannot control with I-Drive

- Check IR cable, and DTV or DVD device' s ground cable and Interface ground cable join together with using extra cable.
- Check device in OSD menu